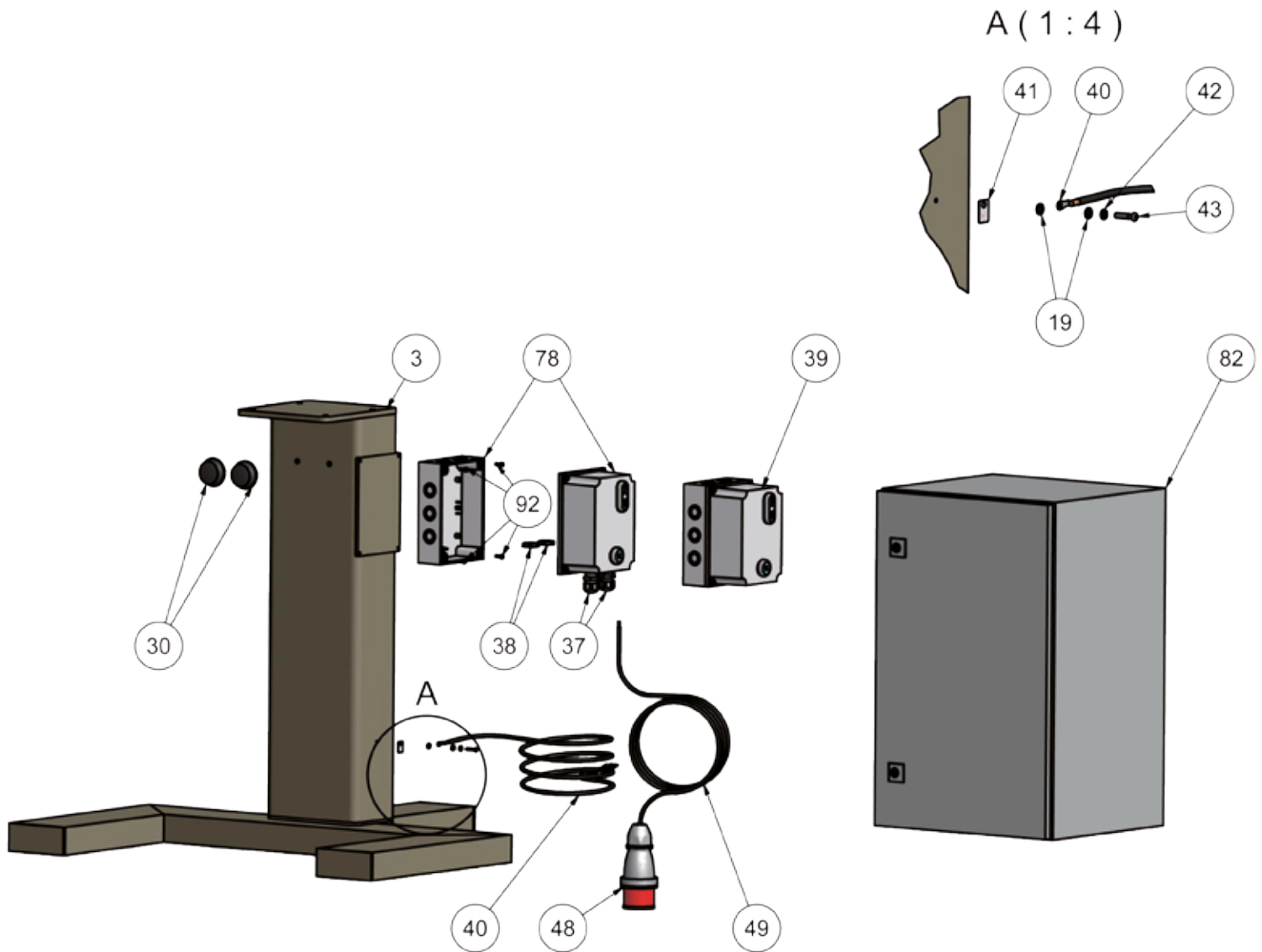


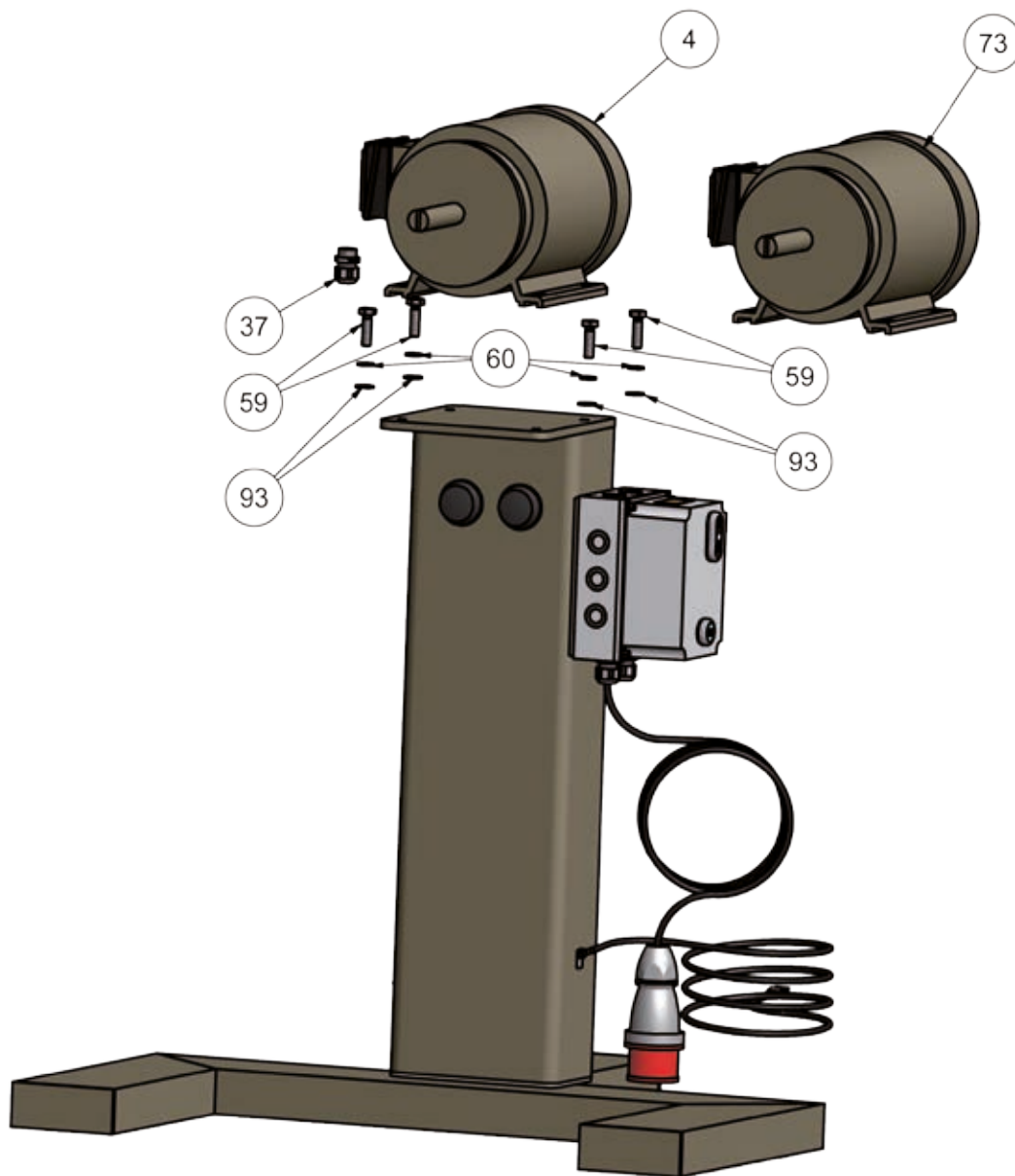
Valid from 14th April 2016
 Supersedes all previously issued spare parts lists

Subject to change without prior notice.



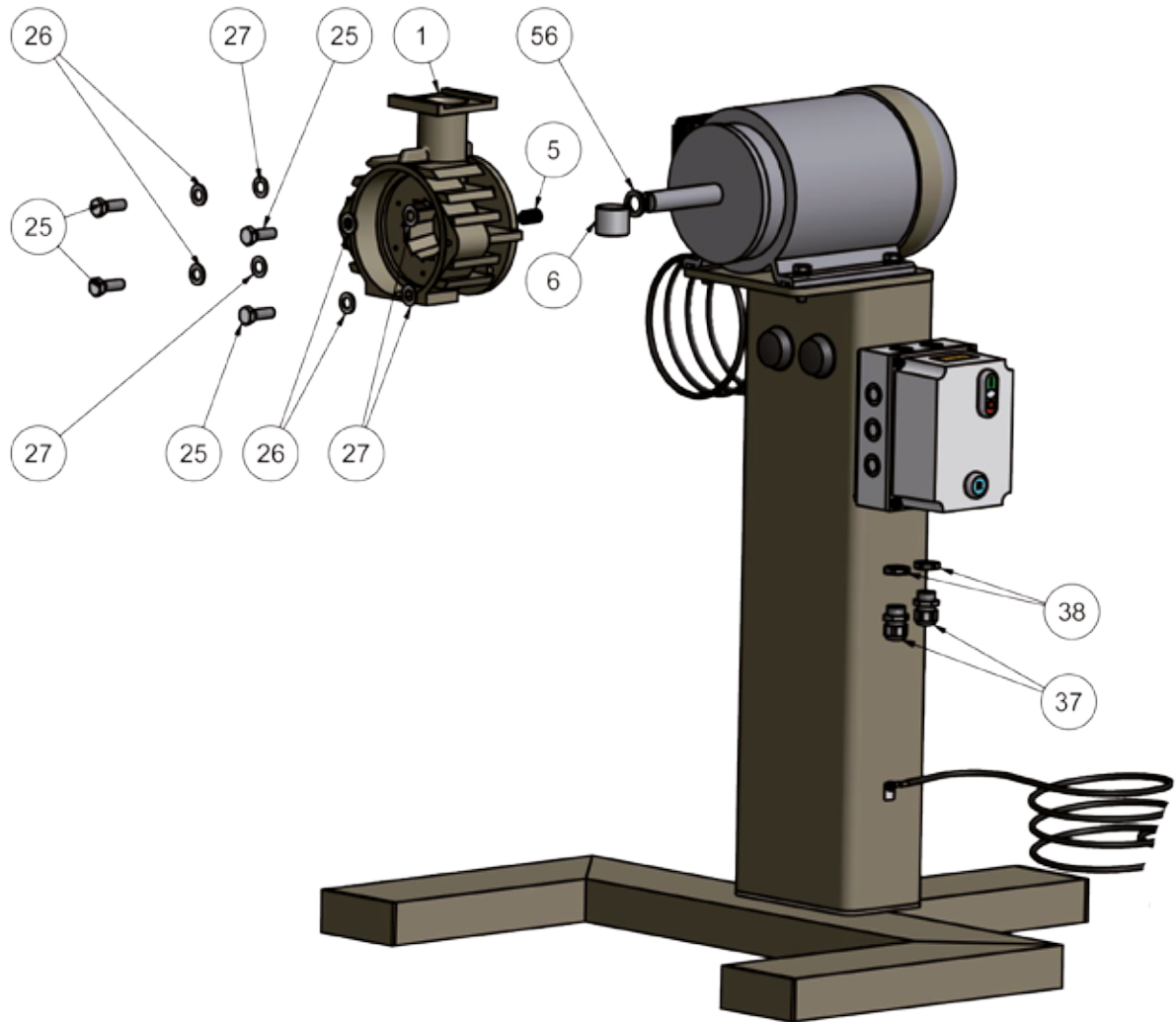
Model: DK15

ARTICLE NO.	DRAWING NO.	DESCRIPTION
305288	3	Base DK15
305648	19	Washer DIN125 A5,3 gal Zn
302742	30	Stopper buffer
305835	37	Cable gland M20x1,5
305293	39	Motor starting unit DK15 250-400V / 50/60Hz (switch box)
305896	40	Ground strap with crocodile clip and cable lug
301876	41	Sign „protective earth“
305516	42	Spring ring DIN127 A5
300001	43	Safety screw
302454	48	CEE Power plug 380V/16A 5 pole
302023	49	Power cord 5 x 1,5 qmm Oelflex-150 QUATTRO au
305292	78	Motor starting unit 208V/60Hz (switch box)
310082	82	Electric control cabinet DK 15 POD



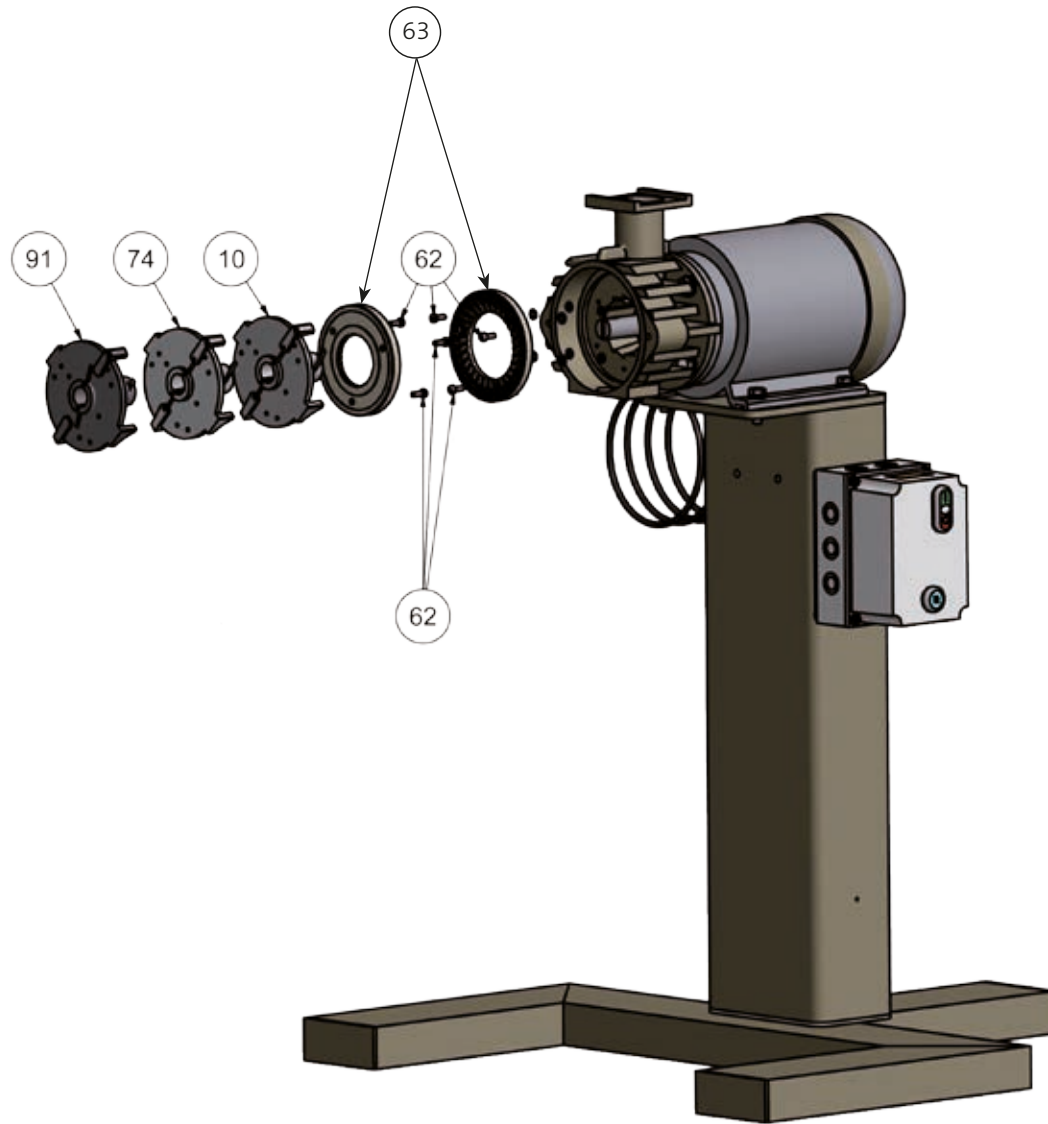
Model: DK15

ARTICLE NO.	DRAWING NO.	DESCRIPTION
305286	4	Motor (Type 10RLH-004) 380-440V / 50/60Hz / 3~ / 2,2kW (STATE COLOUR)
305835	37	Cable gland M20x1,5
301283	59	Hex nut screw M10 x 35 DIN933 8.8 zn.
305514	60	Spring ring DIN127 A10 gal Zn
305287	73	Motor (Type 10RL14) 208-220V / 50/60Hz / 3~ / 2,2kW (STATE COLOUR)
305642	93	Washer DIN125 A10,5 gal Zn



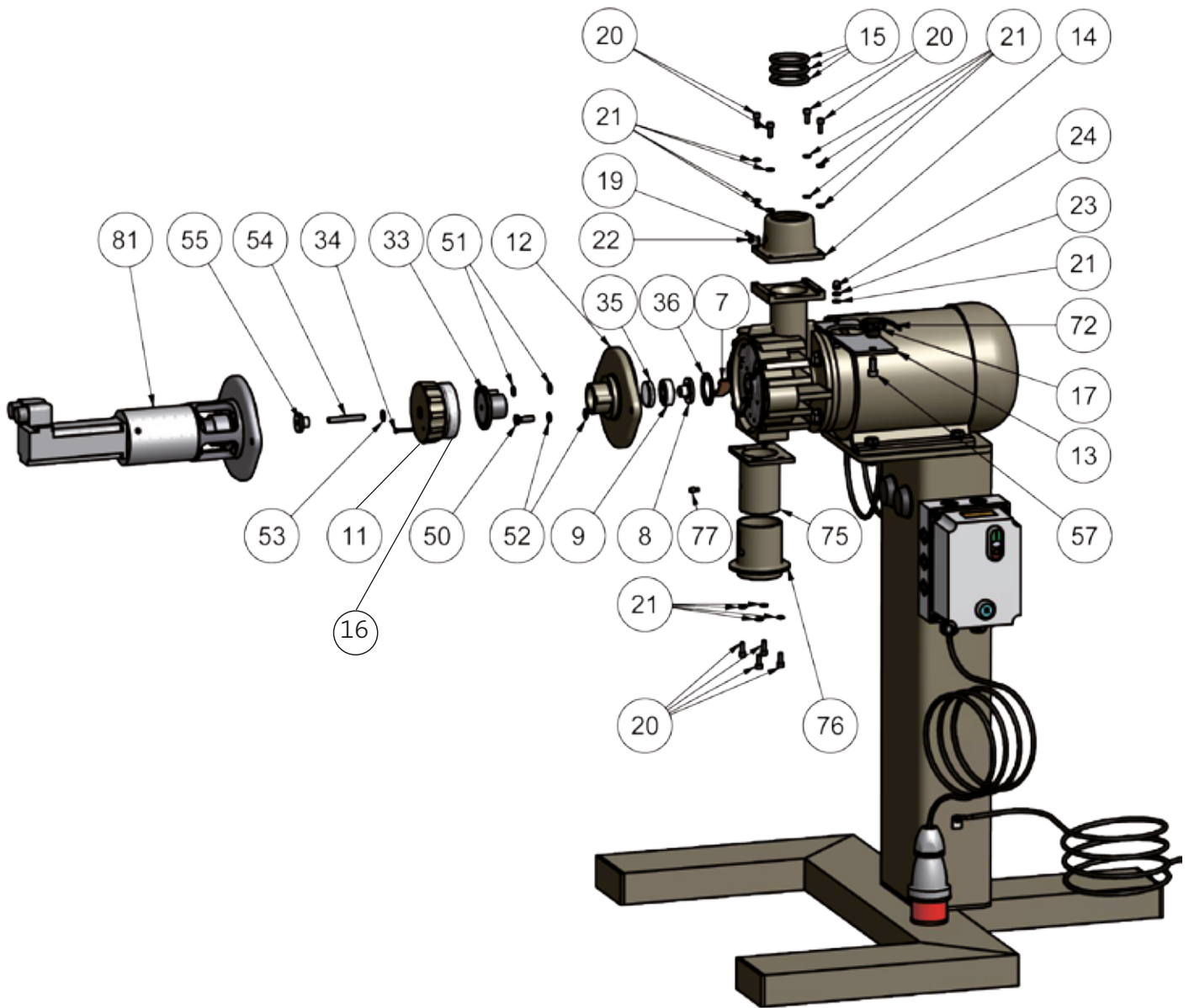
Model: DK15

ARTICLE NO.	DRAWING NO.	DESCRIPTION
305328	1	Grinder casing DK15 (STATE COLOUR)
301983	5	Pressure spring 32/25x28 D=3,5 mm
304975	6	Distance bush
301482	25	Hex nut screw M12x35 DIN933 8.8 verz.
305643	26	Washer DIN125 A13 gal Zn
301507	27	Spring washer B12 DIN137 zn.
305835	37	Cable gland M20x1,5
310639	38	Nut for cable gland grey with bend protection
300996	56	Felt ring (22) 3x3x1000 Tol. +/-0,3 Ne



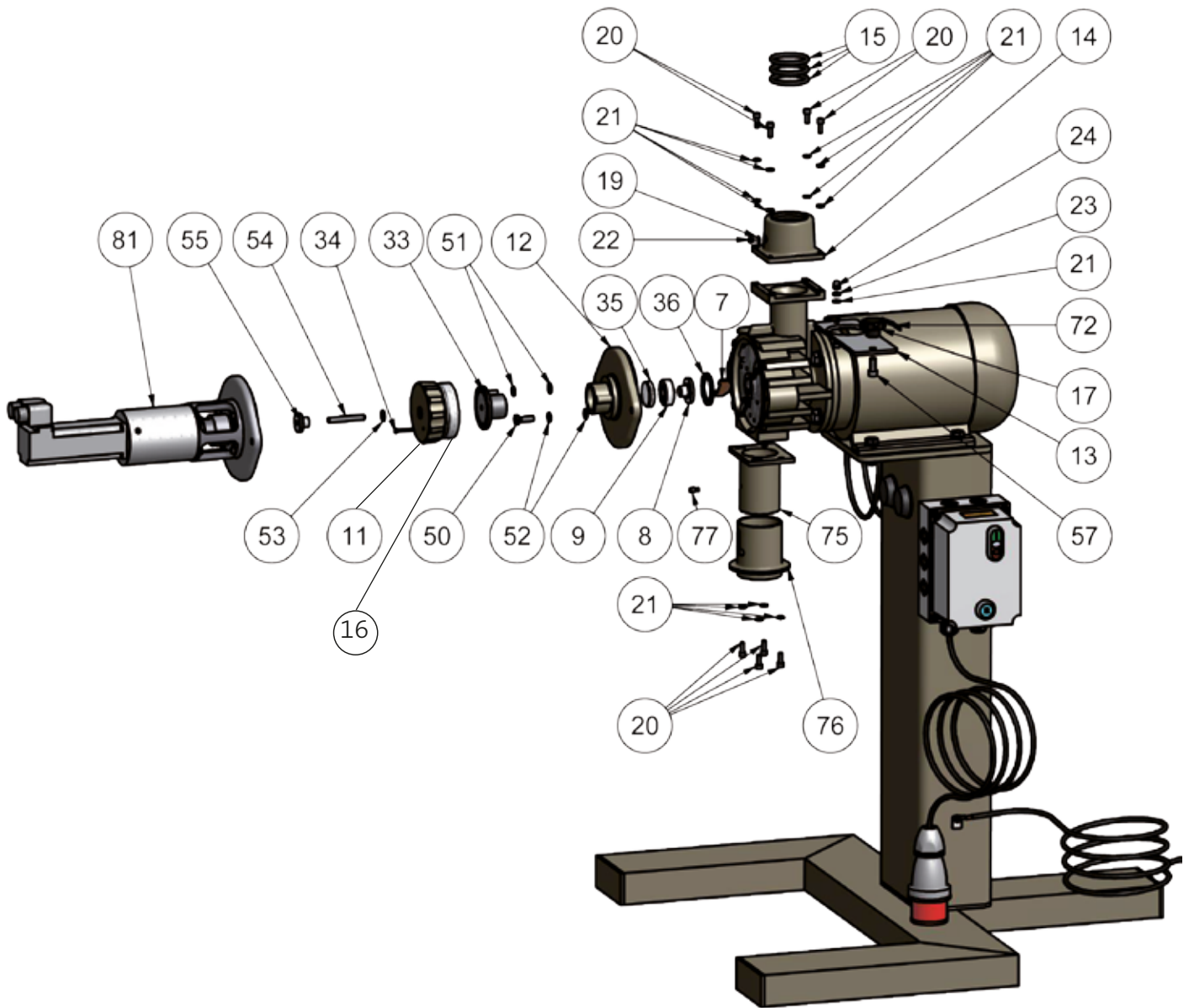
Model: DK15

ARTICLE NO.	DRAWING NO.	DESCRIPTION
300044	10	Pre-breaker DK15 (from serial number 320289)
301478	62	Countersunk head screw M5x12 DIN963 4.8 zn. (for steel discs - coffee)
308594	62	Flat head screw M5x12 (for cast steel discs, tungsten carbide and poppy seed)
303941	63	Grinding disc set DK15LS (steel)
303948	63	Grinding disc set DK15L & DP15L (cast steel) for coffee, pepper, spices
308293	63	Grinding disc set DK15LH (tungsten carbide)
303945	63	Grinding disc set DM15L (steel coated) for poppy seed grinding
300045	(74)	Pre breaker DK5 11,5mm (old design, up to serial number 320288)
309716	91	Pre-breaker DG15 grain



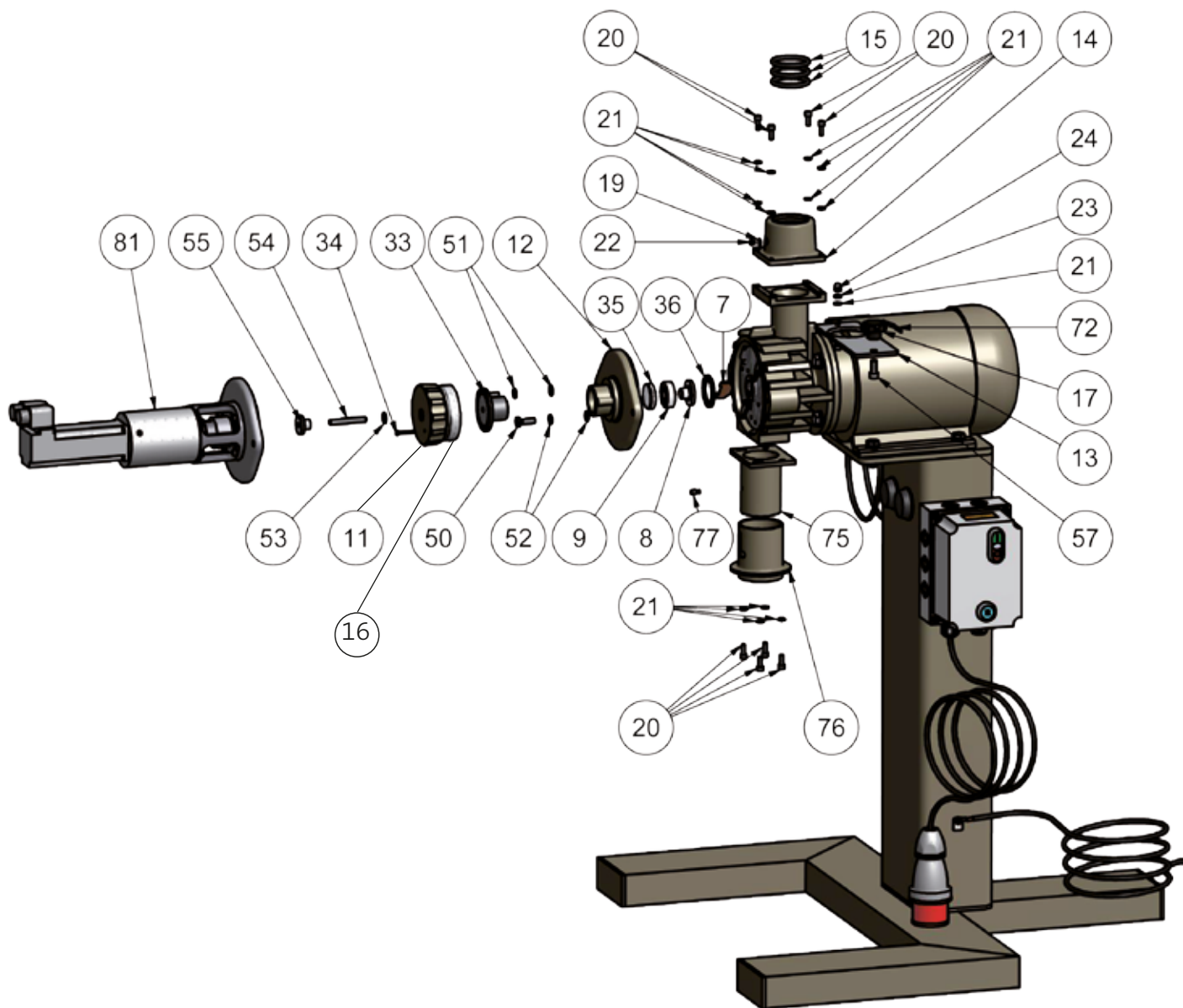
Model: DK15

ARTICLE NO.	DRAWING NO.	DESCRIPTION
305687	7	Shear plate DK5 / DK15
304978	8	Ball bearing seat
301015	9	Deep groove ball bearing 6203-ZZ
300049	11	Adjustment cap DK5 / DK15 machined
304980	12	Grinder casing cover DK5 / DK15
305375	13	Hopper slider DK15 / DK27
300058	14	Infeed tube flange
302762	15	O-ring 55x6
301962	16	Scale sticker 5LS Alu-Foil silber matt
300424	17	Star handle D=40 mm M8
305648	19	Washer DIN125 A5,3 gal Zn
301427	20	Cylinder screw M6x16
305517	21	Spring ring DIN127 A6



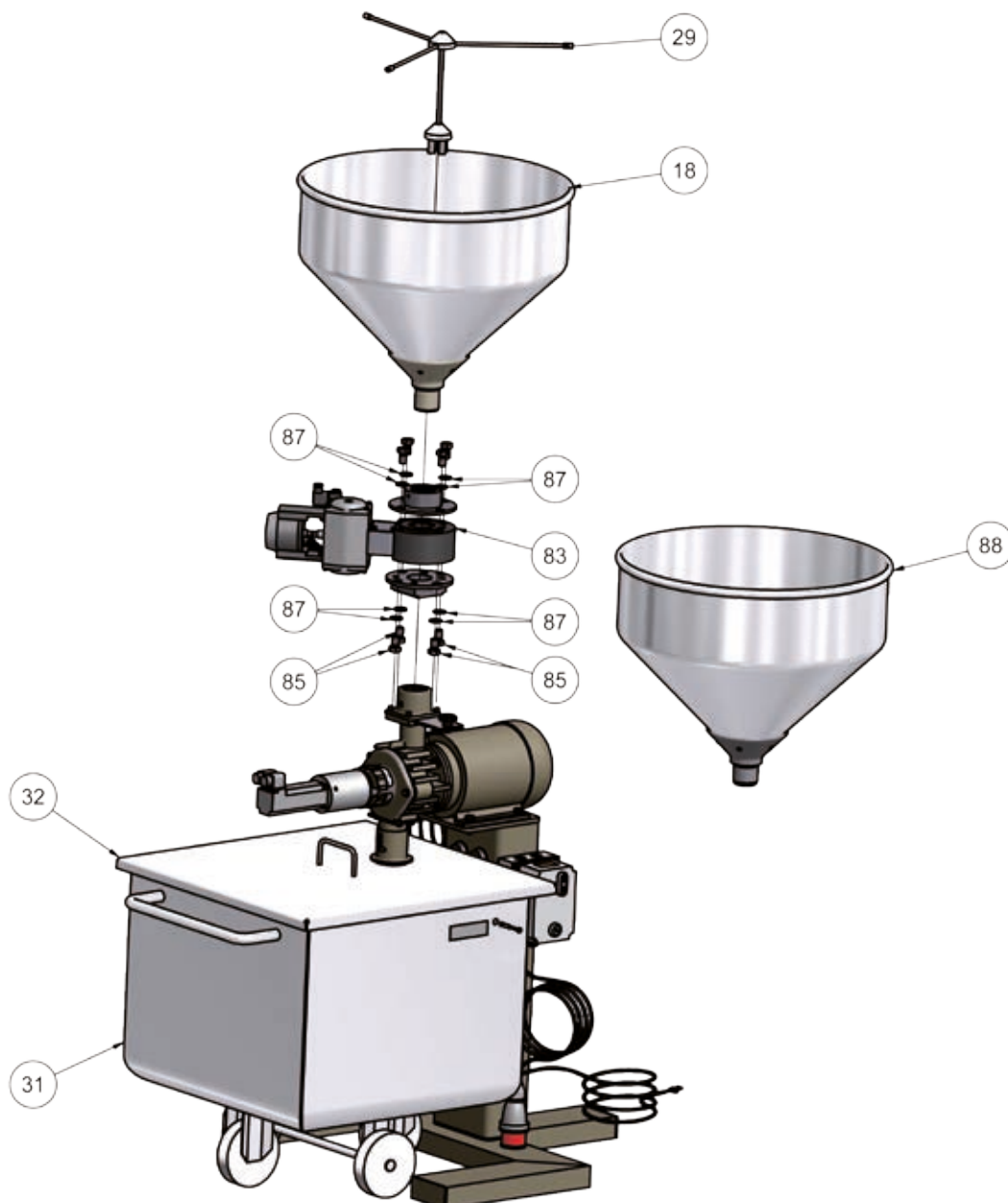
Model: DK15

ARTICLE NO.	DRAWING NO.	DESCRIPTION
301486	22	Flat head screw, M4 x 5 DIN923 5.8 galv. v
305649	23	Washer DIN125 A6,4 gal Zn
301464	24	Cap nut M6
300958	33	Adjustment screw DK5 / DK15
301463	34	Flat head screw M4x25
304976	35	Counter pulley DK5 / DK15
300990	36	Felt stripe white, 5x1600, 4 mm strong 60 230 F2 (
301653	50	Hex nut screw M8x25
301632	51	Spring ring, zn. A8 DIN127
301556	53	Disc, plastic 8,4/17 x 1,6 DIN125 Polyamid
301426	54	Thread pin M8 x 60
301415	55	Knurled nut M8
301274	57	Cylinder screw M8x20



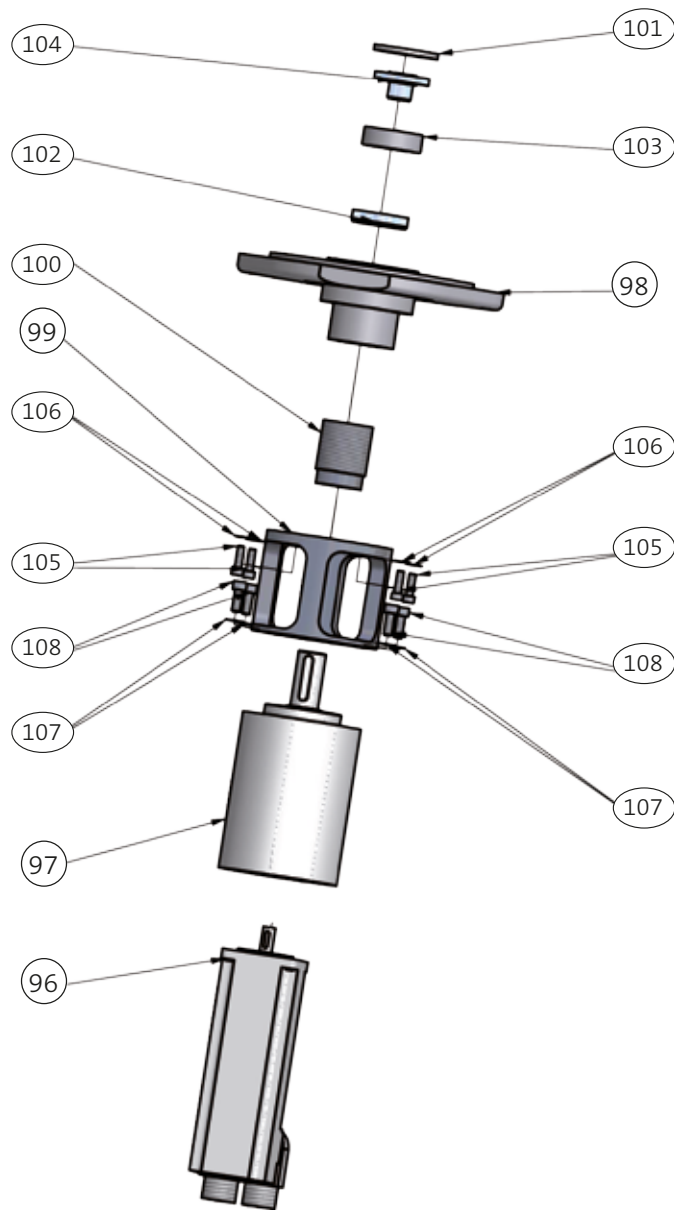
Model: DK15

ARTICLE NO.	DRAWING NO.	DESCRIPTION
301994	72	Lock spring DK15 / DK27
300198	75	Spout upper part DK15 / DK27
300197	76	Spout lower part DK15 / DK27
300867	77	Shoulder screw 13/7 x 5



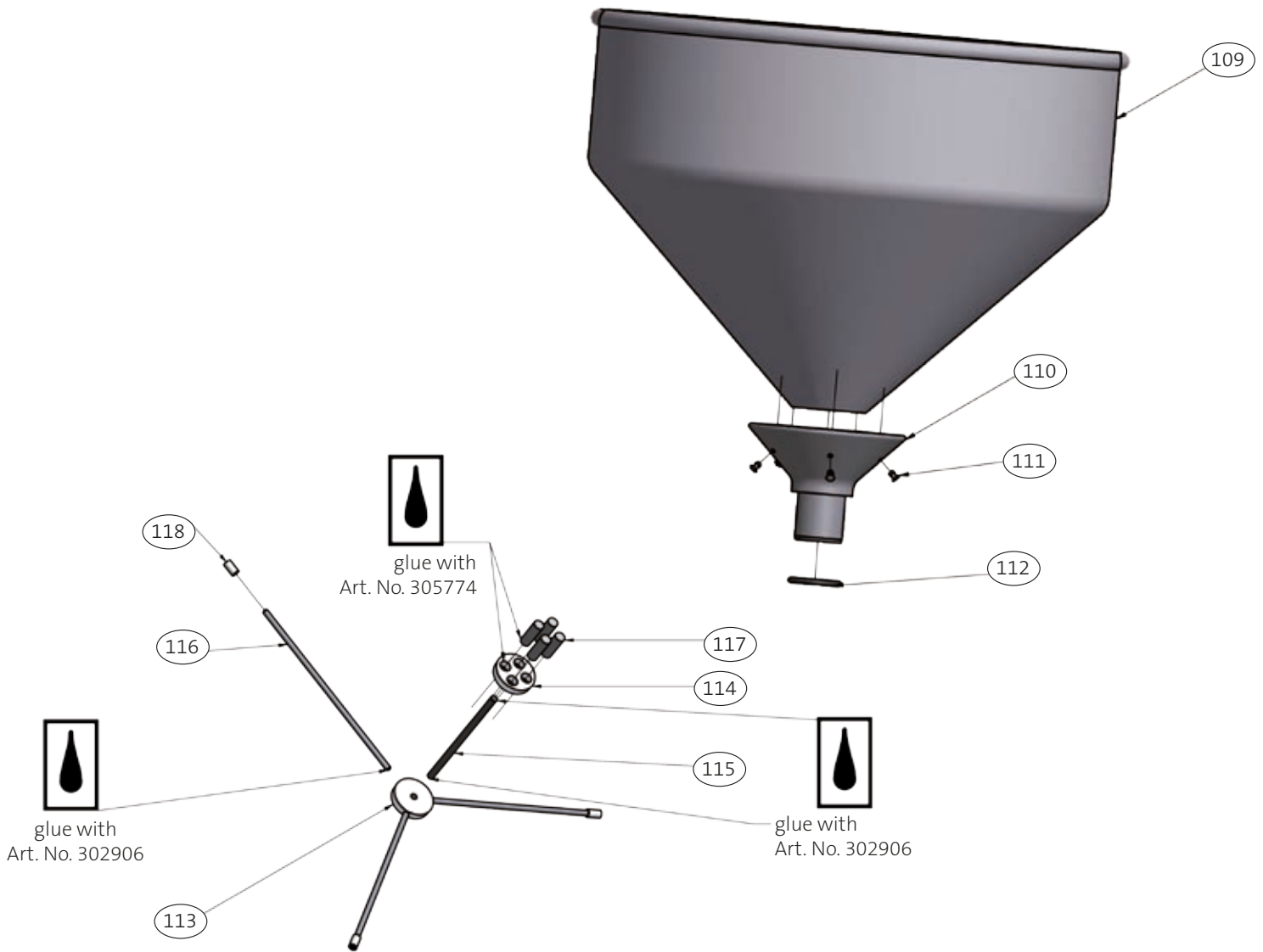
Model: DK15

ARTICLE NO.	DRAWING NO.	DESCRIPTION
305380	18	Hopper complete for DK15L
305381	29	Hopper magnet complete
101794	31	Grounds cart DK15 / DK27 with earthing pin
301094	32	Lid for cart with handle and bore hole
300880	44	Bush 20 mm niquelled
301340	45	Flat head screw M5 x 25 DIN85 #4.8 zn.
301636	46	Hex nut EN24 032 (DIN934) M5 gal Zn
307273	83	2-way flange-valve with pneumatic drive
310083	85	Hex nut screw M16 x 25 DIN933 8.8
310084	87	Spring ring
310075	88	Hopper complete (ONLY FOR DK15 POD)



Model: DK15

ARTICLE NO.	DRAWING NO.	DESCRIPTION
310163	96	Servomotor DK15Pod
310162	97	Planetary drive DK15 Pod
308565	98	Housing lid
308513	99	Flange
308512	100	Adjustment screw
300997	101	Felt stripe cutted 3x3x120 Tol. +/-0,3 New-Felt
304976	102	Counter pulley DK5 / DK15
301015	103	Deep groove ball bearing 6203-ZZ
304978	104	Ball bearing seat
308153	105	Cylinder screw M5 x 16 DIN912 8.8 zn.
301342	106	Spring washer zn. B5 DIN137
301389	107	Spring washer zn. B6 DIN137
306656	108	Cylinder head screw 6x16 DIN912 4.8 gal zinked



Model: DK15

ARTICLE NO.	DRAWING NO.	DESCRIPTION
301095	109	Hopper Type 54 Al-plate 99,5 620x440x2,0 mm
309757	110	Hopper adapter DK7LS GG 20 n. DIN 1691
301363	111	Blind rivet A5 x 16 DIN7337 AL/ST, RIV-SET
302762	112	O-ring 55x6
300195	113	Magnet holder cone G-Al Si 10 Mg
300226	114	Magnet holder cone GaSi 12
305083	115	Threaded bolt for magnet holder, DK27
305084	116	Round bar for magnet holder, DK27
300943	117	Bead molding magnet D=15 x 45mm Fine cast AlNiCo 500, axi
302757	118	Plastic tube 8x2 mm PVC, transparent
305774	--	Loctite 480
302906	--	Loctite 601

Changes In The Spare Parts List:

VALID FROM SERIAL NO.	ARTICLE NO.	DRAWING NO.	DESCRIPTION	COMMENT
2.2	305380	18	Hopper DK15 compl.	Standard hopper DK15L
2.2	310075	88	Hopper compl (only DK15 POD)	different adapter: only POD-version
2.2	div.	63	diverse grinding disc sets	new in spare parts list
2.3	101794	31	Grounds cart with earthing pin	new: only available with earthing pin
2.4	301478	62	Countersunk head screw M5x12 DIN963 4.8 zn. (for steel discs - coffee)	corrected disc screws
2.4	308594	62	Flat head screw M5x12 (for cast steel discs, tungsten carbide and poppy seed)	corrected disc screws
2.5	300049	11	Adjustment cap DK5 / DK15 machined	replaces 300048
2.5	301962	16	Scale sticker 5LS Alu-Foil silber matt	new in spare parts list
2.6	300996	56	Felt ring (22) 3x3x1000 Tol. +/-0,3 Ne	replaces 300993