

# ANFIM<sup>®</sup>

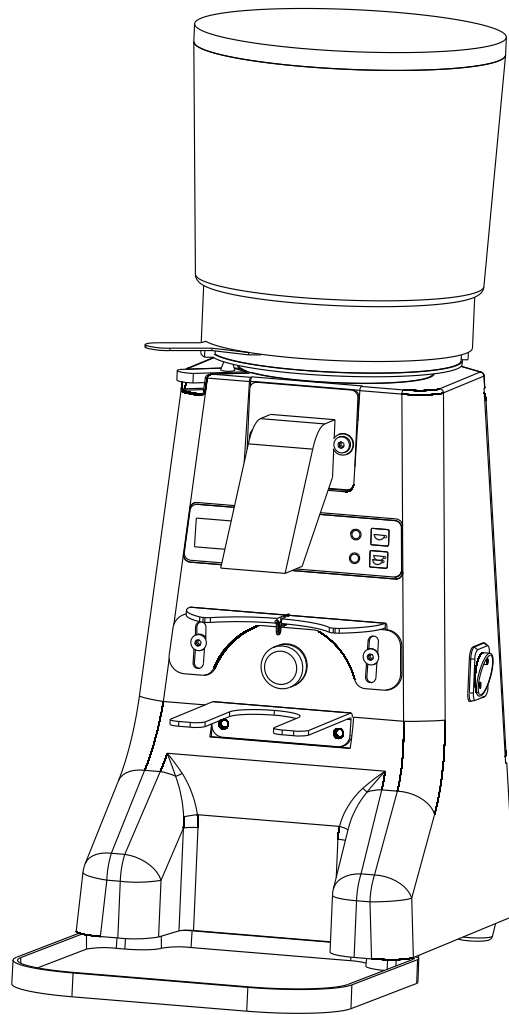
**ANFIM** srl

Via B. Verro, 33/5 - 20141 MILANO - ITALY  
Tel. (+39) 02/8465054 - Fax (+39) 02/8464401  
e-mail: info@anfim.it - website : www.anfim.it

## GB • INSTRUCTION MANUAL

Mod.:

### - **BEST ON DEMAND ELECTRONIC**



### • **COFFEE GRINDER**

**CE**

### BEST - ON DEMAND ELECTRONIC

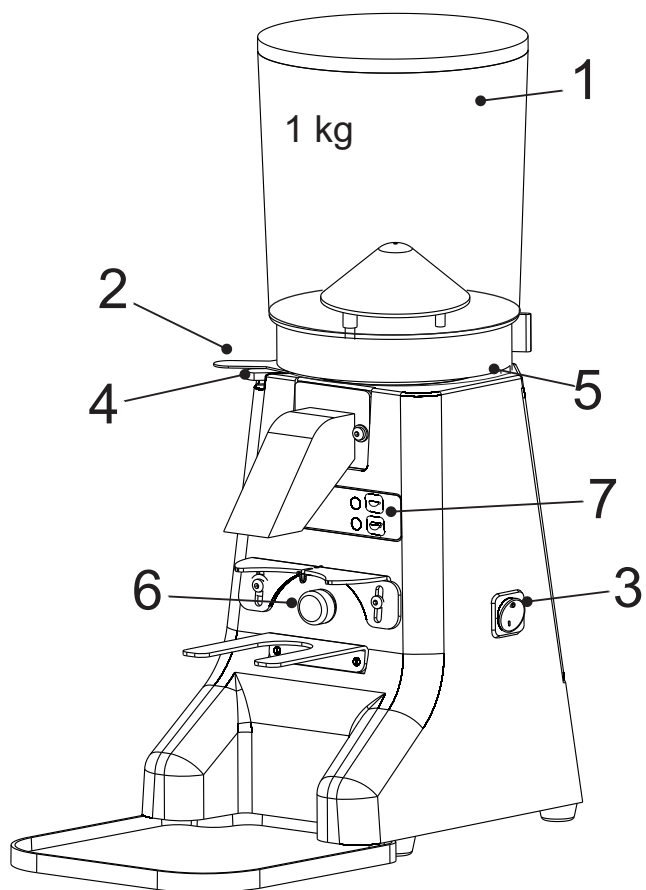


Fig.B

### BEST - ON DEMAND ELECTRONIC

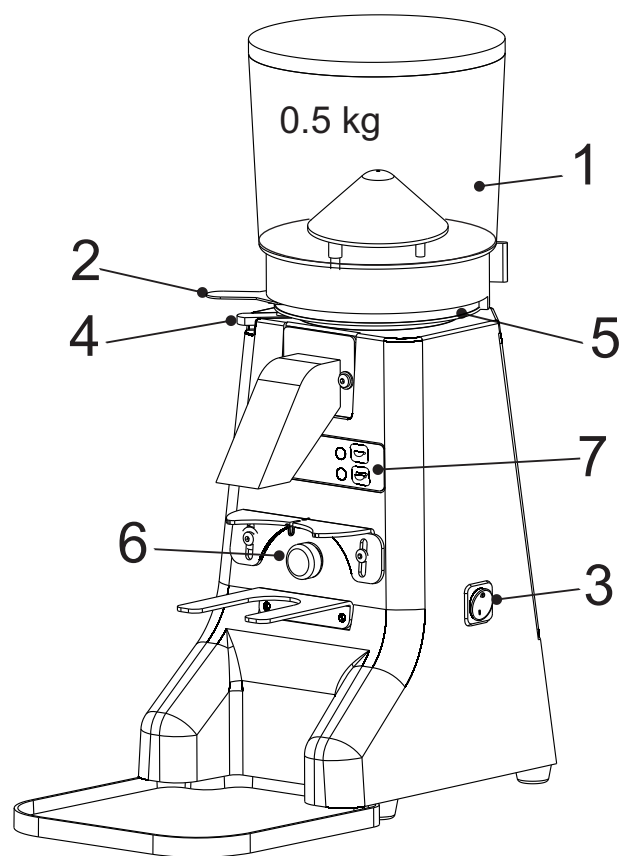


Fig.A

The drawing up of this manual has been edited by A N F I M . Technical Department.  
All rights reserved. No part of this publication may be reproduced or transmitted, in any form or by any means - microfilm, photocopying or otherwise - without written permission of A N F I M srl.  
Published: July 2017

This device, like all electrical products, must be disposed separately from municipal sorted waste, at specific collection points designated by the local council.



# 1. General instructions

Read this instruction booklet carefully before using the coffee grinder.

The installation of the coffee grinder must be done by qualified personnel.

The firm cannot be held responsible for changes made by the user to the appliance and for accidental damages arising from installations and / or utilizations different from those mentioned in these instructions.

The producer reserves the right to change without notice the characteristics of the equipment presented in these instructions.

## 1.1 Appropriate usage

**The coffee grinder with dosing system has been developed and built to grind and dose coffee.**

## 1.2 Improper usage

**Any kind of usage different from what is described in paragraph 1.1 is considered improper and therefore unauthorized; the manufacturer refuses all responsibility for damages arising from improper usage of the coffee grinder described in this instruction manual.**

## 1.3 Safety standards

**Do not use the coffee grinder without fixing the hopper for coffee beans to the top flange using the provided screws.**

**Always unplug the coffee grinder before cleaning.**

**Do never immerse the coffee grinder in water and/or other liquids.**

The device should not be used by people (including children) with reduced, sensory or mental capabilities, or lack of experience and knowledge, unless they are carefully supervised/monitored and instructed;

- Do not allow children to play with the appliance.

- This appliance can be used by children aged over 8 years if they have supervision or are given instruction on the proper use of the appliance so usage can be considered safe and they understand possible risks involved.

- Cleaning and maintenance should not be performed by children unless they are older than 8 years and carefully supervised.

- Keep the appliance and electrical cords out of reach of children, at all times especially if less than 8 years old.

# 2. Transport

## 2.1 Packaging

The **ANFIM** coffee grinder with dosing system is supplied in a special cardboard package; each package contains:

Coffee grinder with dosing system, Instruction booklet, Evidence of conformity



## 2.2 Handling of the appliance

The coffee grinders with dosing system do not need special tools for their operation because they can be handled manually.

---

# 3. Description of the appliance

---

## 3.1 Description of the appliance

The coffee grinder has been developed and built to comply with a modern environment of a coffee shop making life easy and convenient for the barista to grind and dose coffee into a porta-filter in order to prepare a cup of coffee.

### Description:

Housing panel powder coated.

Hardened steel grinding discs.

Hopper for coffee beans.

Discharge tube for delivery of ground coffee into porta-filter.

Power supply in conformity with 2006/95/EEC Directives.

Control unit for programming coffee dose.

## 3.2 Description of the controls

The coffee grinder is provided with the following control devices:

- 1 - Coffee bean hopper.
- 2 - Hopper slide.
- 3 - Illuminated ON/ OFF switch.
- 4 - Grind adjustment pin.
- 5 - Blade adjustment ring.
- 6 - Activation switch porta-filter.
- 7 - Touch panel

## 3.3 Emergency stop controls

In compliance with the safety article indicated in the EN 418 standards, the coffee grinder is not equipped with an emergency stop because this function is provided by the illuminated **ON/OFF** switch. **(3)**

### 3.4 Table of specifications:

TYPE	BEST OD ELECTRONIC	(Hopper 1 Kg.)
Height:	380 mm	540 mm
Width:	145 mm	145 mm
Depth:	300 mm	300 mm
Power:	300 W	300 W
Noise level:	< 70 dB(A)	< 70 dB(A)
Blades diameter:	54 mm ANFIM®	54 mm ANFIM®
Weight:	7,5 kg	7,7 kg.

## 4. Installation of the appliance

### 4.1 Installation of the appliance

The coffee grinder must be placed on a flat, steady, and dry surface.

### 4.2 Connecting the appliance to the mains

Single-phase 220/240V version (110V on request)

The coffee grinder is supplied with an electric cord and a moulded plug and must be connected only by an authorized electrician to a power socket (max. rating 15A.) that is in compliance with the data printed on the serial number plate of the grinder located either on the rear side or on the bottom plate of the grinder.



#### **WARNING:**

The electric installation to which the coffee grinder will be connected must be in compliance with the law in force.

The manufacturer refuses all responsibility for damages and injuries to persons that might occur due to improper installation and/or improper electric power installation not in compliance with local safety standards.

## 5. Using the appliance

### 5.1 Instructions for use

- A) Fill the hopper with fresh coffee beans. The maximum capacity of the hopper is approx 0,5 kg. (Fig.A) - Optional 1 kg. (Fig.B)
- B) Open the hopper slide.
- C) Briefly switch on the ON / OFF (3) main switch, which will light up indicating the presence of power supply. The grinder is ready for operating after approx 5 sec.
- D) Insert porta-filter and push against activation switch (6) to start grinding cycle.

Basic calibration is done in the factory. To adjust the grind setting during operation, proceed as follows:

- Push locking pin on left hand side of grinder down and move hopper to the left to set the grind finer.
- Push locking pin on left hand side of grinder down and move hopper to the right to set the grind coarser.

Please note that grind setting should be adjusted:

- finer in case of low humidity
- coarser in case of high humidity

The coffee grinder is adjusted at the factory for a dose that corresponds to approx.

<b>Default settings</b>	<b>BEST-OD-EL</b>
Dosing time for one cup: <b>7 g</b>	5,7 seconds
Dosing time for two cups: <b>14 g</b>	11,2 seconds

### **Setting grinding time for either 1 or 2 cups.**

- To change the grinding time for 1 cup, push and hold key for 1 cup on touch pad until time for a single shot is flashing. Release key.
- To increase grinding time by steps of 0.1 sec, push key for 1 cup on touch pad.
- To decrease grinding time by steps of 0.1 sec, push key for 2 cups on touch pad.
- New settings will be saved automatically if no action on touch pad is taken for 3 sec. Set time is no longer flashing and grinder is ready for operation.
- To change grinding time for 2 cups, push and hold key for 2 cups on touch pad until time for a double shot is flashing. Release key.
- To increase or decrease grinding time, pls follow above procedure for 1 shot.

**In order to get the best performance, it is necessary to check the grinding and the dosage regularly, following the instructions stated in paragraph 6.3 of this booklet.**

## **5.2 Instructions for Emergency Stop**

In case of emergency, if you push the ON/OFF switch (3) the coffee grinder stops immediately.

---

# **6. Maintenance**

---

## **6.1 Safety standards**

- ➔ • **Do not insert fingers or other objects in the entry hole of the blades or in the outlet of the ground coffee.**
- **Do not put ground coffee in the hopper.**
- **Do not immerse the coffee grinder in water and/or other liquids (solvents, detergents, and so on).**

**In any case, always refer to the Customer Service Centre of ANFIM. When the machine is not in use (outside normal working hours/when closed during holidays, etc.) always switch off the illuminated ON/OFF switch (3).**

## 6.2 Appliance cleaning



**WARNING: Disconnect the coffee grinder from the mains before cleaning. Do never immerse the coffee grinder in water and/or other liquids.**

Regular cleaning once a week helps to preserve the unique aroma and taste of your espresso and to avoid accumulation of oils and coffee dust in the hopper and on the grinder.

### Cleaning Instructions:

- a) Disconnect the coffee grinder from the mains
- b) Clean the empty hopper with a dry soft cloth (in- & outside)
- c) Clean the discharge tube with a soft brush and wipe off any grounds inside the tube
- d) Wipe off coffee powder or other dirt from the grinding housing by using a dry soft cloth
- e) Connect the coffee grinder to the mains

## 6.3 Scheduled inspections

It is recommended to check the grinder at least once every 6 months to make sure it performs the best possible way ensuring a perfect grind and dosing consistency. Contact your nearest authorised Anfim Service Centre for more information.

- a) Check grind setting and adjust 2-3 a day, if necessary.
- b) Ask your nearest Anfim service dealer to check the grinding discs for wear & tear and have them replaced after grinding 400-500kg (Anfim steel discs).
- c) Ask your nearest Anfim service dealer to check for regular wear & tear and to replace worn parts, in case of need.

---

# 7. Servicing

---

### 7.1 Instructions for service request

All technical interventions must only be performed by authorized personnel of Anfim or one of its authorised service dealers.

### **ANFIM**

Via B. Verro 33/5 - 20141 MILANO  
Tel. (+39) 02/8465054 Fax. (+39) 02/8464401  
e-mail: [info@anfim.it](mailto:info@anfim.it) - website: [www.anfim.it](http://www.anfim.it)

---

## DECLARATION OF CONFORMITY

---

The undersigned **ANFIM** Via B.Verro, 33/5 - 20141 Milan – Italy, declares, on its own responsibility that the coffee grinder with dosing system,

Model. **B E S T - O D - E L** Serial-number . . . . .



to which this declaration refers, is in compliance with the following standards or other corresponding documents: **EN ISO 12100, IEC 60335-2-64, IEC 60335-1**, according to what is provided for by the **2006/42/CEE** directive.

MILAN, 18 JULY 2017

**ANFIM** Srl

A handwritten signature in black ink, appearing to read 'G. Verro', is written below the company name.

Authorized reseller